

RUPERT
AERONAVES

RUPERT
AERONAVES



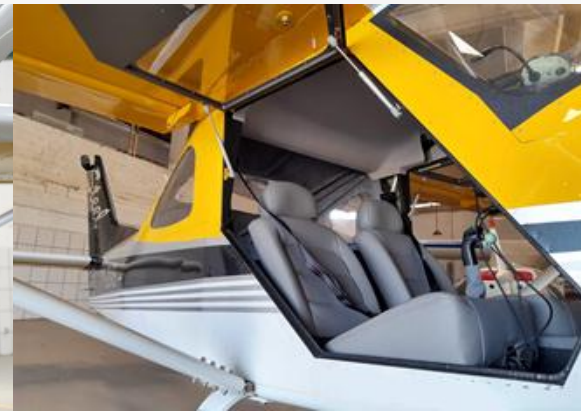
Dimana Steel

VimanaSteel

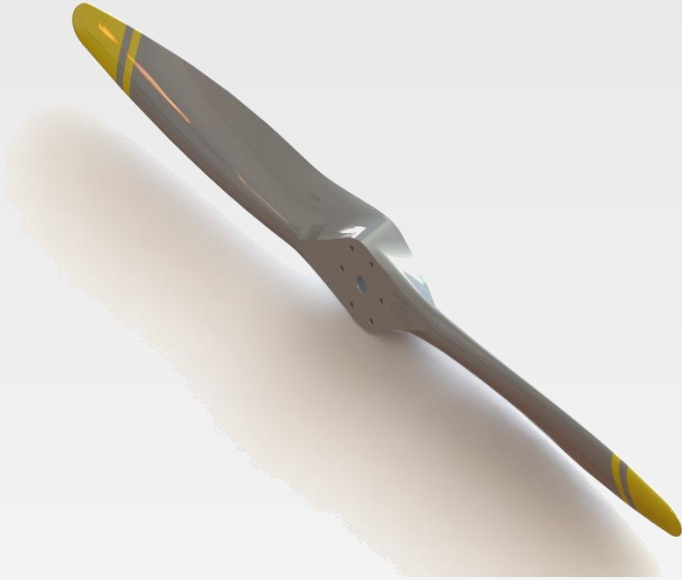
✈ VimanaSteel S-LSA was designed and assembled using 2024-T3 aluminum and genuine aeronautic rivets, mostly: AN426 and AN470.

✈ The airplane has a Control Stick that allows a stable and comfortable flight experience.

✈ It has autonomy for long flights thanks to 112l (29.6 gallons) of fuel capacity.



PROPELLER



- ✈ Rupert Propeller 68" x 62"
- ✈ Material : Wood and Resin
- ✈ Two Blades

ENGINE



- ✈ ROTAX 912 ULS – 100HP
- ✈ Cooling: Liquid/ Air
- ✈ Fuel Delivery: Dual Carbs
- ✈ TBO Hours: 2000

AVIONICS



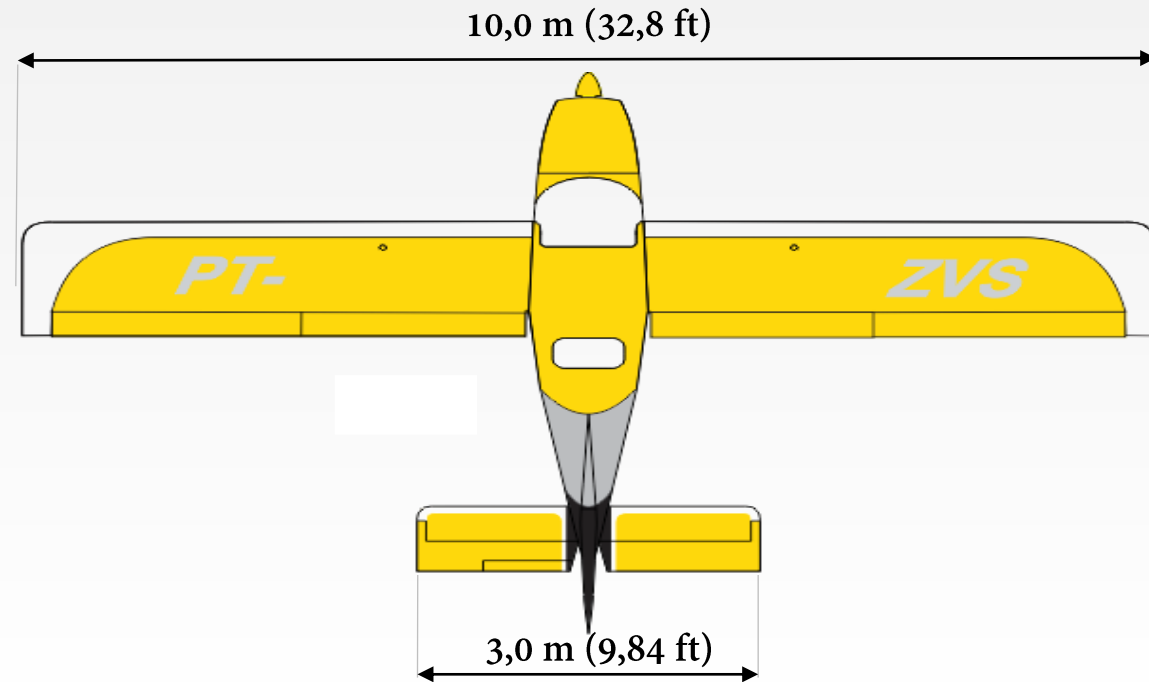
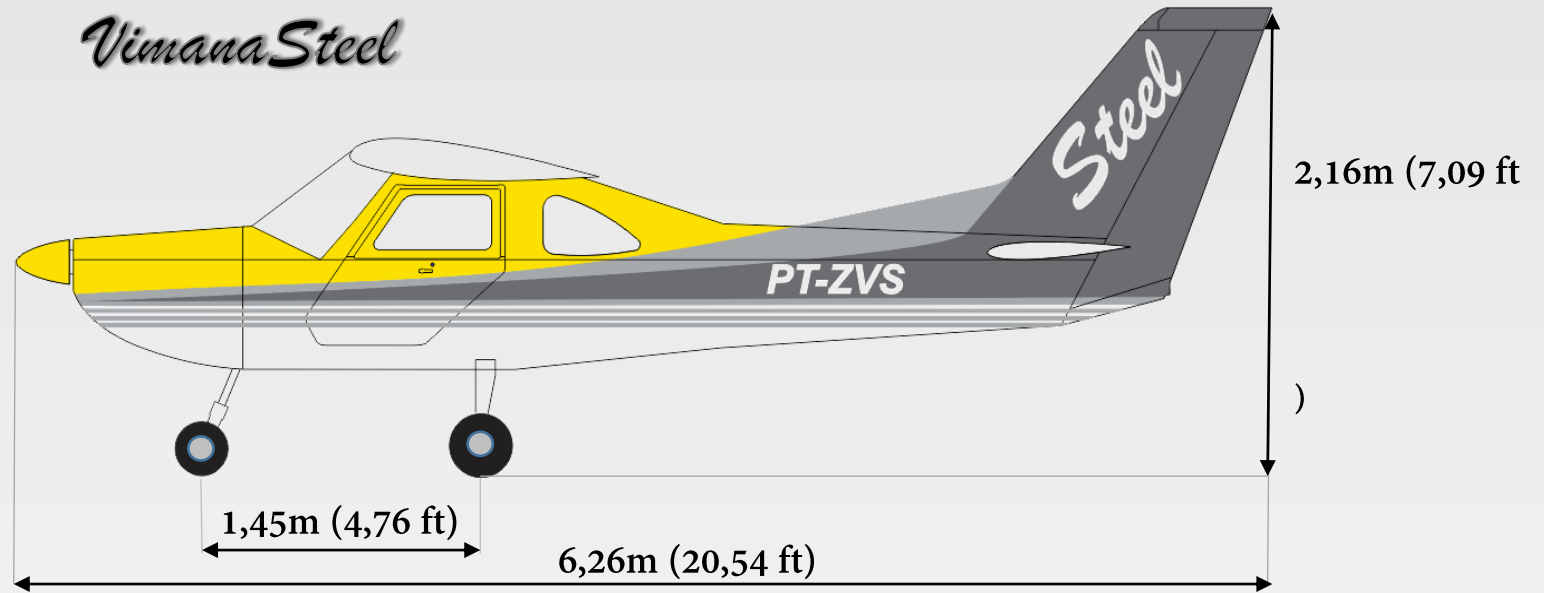
- ✈ EFIS DYNON
- ✈ ICOM Radio
- ✈ GARMIN GPS
- ✈ GARMIN Transponder

SPECIFICATION

Seatings:	2 (Side by Side)
Span:	10m (32,8 ft)
Length:	6,3m (20,7 ft)
Height:	2,2m (7,2 ft)
Maximum Take Off Weight:	600kg (1322,8lb)
Wing Loading:	51 kg/m ² (10,4 lb/ft ²)
Motor:	Rotax 912 ULS (100HP)
Propeller:	Rupert 68 inch
Baggage Allowance:	10 kg (22lb)
Fuel Capacity:	112 l (29,6 US gal)

PERFORMANCE

Max. Cruise Speed:	220km/h (119 KIAS)
Cruise Speed:	194km/h 105 KIAS)
Take Off Distance:	250m (820,2 ft)
Landing Distance:	200m (656,1ft)





Freedom | Safety | Performance



*Fly with us and enjoy the best experience of freedom, safety and
comfort of your life*



BR +55 (81) 3721-5889 | RUPERT.COM.BR | @RUPERTAERONAVES

©2022 Rupert Aeronaves. Inc. All rights reserved. VimanaSteel is a trademark or service marks of Rupert Aeronaves Inc. or an affiliate and may be registered in the Brazil or other jurisdictions.